

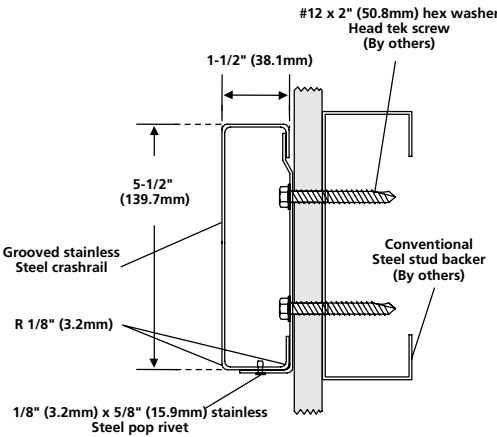
EXPGuard Wall Protection CS5F Crash Rail



The **EXPGuard**® CS5F stainless steel Crash Rail is 5-1/2" (139.7mm) high with stainless steel mounting brackets. Available with a flat-face, this Crash Rail offers a unique and modern solution for applications requiring medium-to high-impact resistance.

The **EXPGuard** CS5F Crash Rail is backed by a limited one-year warranty. All Crash Rails meet national building code standards.

For more information on **EXPGuard** Crash Rails, please call your local **EXPGuard** distributor or 272.230.1600.



CS5F

Product Guide Specification

SECTION 10 26 00 CRASH RAILS

PART 1 GENERAL

1.01 SUMMARY

- A. Section Includes: Crash Rail System.

1.02 REFERENCES

- American Society for Testing and Materials (ASTM)
ASTM A 276-92 Standard Specification for stainless steel and heat-resisting steel bars and shapes.

1.03 SUBMITTALS

- A. Comply with Section 01 33 00—Submittals.
- B. Product data indicating compliance with specified requirements.
- C. Shop drawings showing locations, extent and installation details.
- D. Samples for selection and verification of product pattern and finish.
- E. Sample of each product pattern and finish specified.

1.04 QUALITY ASSURANCE

- A. Manufacturer: A firm regularly engaged in the manufacture of wall protection system components similar to those specified.
- B. Installer: Engage a skilled installer with no less than three years of documented experience installing similar types of products to the extent and complexity of those required for the project.
- C. Code Compliance: Provide product that conforms to the necessary requirements of all applicable codes.
- D. Single Source Responsibility: Provide all product system components from a single source.

1.05 PRODUCT DELIVERY, STORAGE AND HANDLING

- A. Deliver all products to the job site in the supplier's undamaged packaging clearly labeled and properly identified.
- B. Store materials in a clean, dry, protected area where temperature and humidity remain stable and within 40°F (4°C) to 100°F (38°C).
- C. Materials must be stored flat.

1.06 PROJECT CONDITIONS

- A. Maintain a constant temperature range of 65°F (18°C) to 85°F (29°C) with stable relative humidity, for at least 48 hours prior to, through out the installation period and maintained consistently thereafter.
- B. Installation locations must be enclosed, weatherproofed and climate controlled prior to commencing installation.

1.07 WARRANTY

- Submit supplier's written warranty against defects in material and workmanship.

1.08 MAINTENANCE

- Submit supplier's recommended instructions including precautions against cleaning materials and methods that may be detrimental to product finishes and performance.

PART 2 PRODUCTS

2.01 MANUFACTURER

EXPGuard • 950 Broad Street, Suite 4 • Montoursville, PA 17754

2.02 MATERIALS

- "EXPGuard" Model CS5F Stainless
Steel Crash Rail mounted over wall clips 32" O.C.
 1. Height: 5-1/2" (139.7mm).
 2. Width: 1-1/2" (38.1mm).
 3. Face: Flat-faced
 4. Material: 16 gauge type 304 stainless steel.
 5. Finish: #4 Satin.

PART 3 EXECUTION

3.01 EXAMINATION

- A. Examine product, substrates and installation conditions.
- B. Notify the contractor and architect in writing of any conditions detrimental to the proper and timely completion of the installation.

3.02 SURFACE PREPARATION

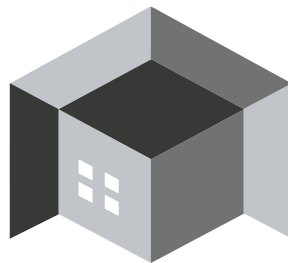
- Prior to installation, clean surface to remove dirt, debris and loose particles. Perform additional preparation procedures as required per the manufacturer's instructions.

3.03 INSTALLATION

- A. Install the work of this section in strict accordance with manufacturer's written instructions.
- B. If problems occur, stop the installation and contact the local decorative wall panel representative before proceeding.

3.04 CLEAN UP COMPLETION

- Upon completion of the work, remove excess materials, debris and rubbish resulting from the installation and leave the area in a clean and orderly condition.



EXPGuard

Your EXPert Metal Solution Provider

272.230.1600 • EXPGuard.com • Division 10 26 00